

Data Sheets



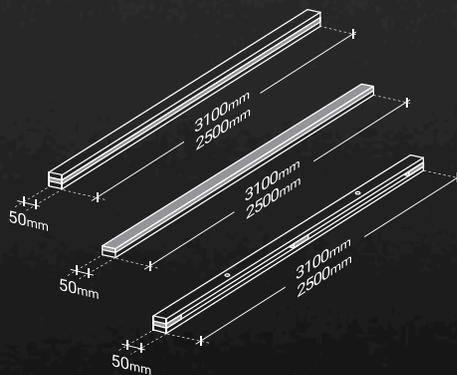
SANDWICH PANEL

Isophon Bars™

Sizes 3100 x 50 mm
2500 x 50 mm

Weight from 0,40 kg/ml

Gluing Class 3 - E1
Melamine adhesive
E0 Class if faces are made with
RINA Okoume
Components Gluing E0



TECHNICAL SPECIFICATIONS OF ISOPHON BARS™

ISOPHON WALL

Thickness	Configuration	Weight
mm	mm	kg/ml
26	8+10+8	0,6
30	10+10+10	0,7
36	8+20+8	0,8
40	10+20+10	0,9
40	15+10+15	0,9
50	15+20+15	1,2

ISOPHON FLOOR SINGLE-SIDE

Thickness	Configuration	Weight
mm	mm	kg/ml
18	8+10	0,4
20	10+10	0,5
25	15+10	0,6
28	8+20	0,6
30	10+20	0,7
35	15+20	0,8

ISOPHON FLOOR

Thickness	Configuration	Weight
mm	mm	kg/ml
26	8+10+8	0,6
30	10+10+10	0,7
36	8+20+8	0,8
40	10+20+10	0,9
40	15+10+15	0,9
50	15+20+15	1,2

Dimensional tolerances comply with the requirements of standard EN 315. Customized thicknesses and configurations upon request.

PROPERTIES OF ANTI-VIBRATION CORE

