

Data Sheets



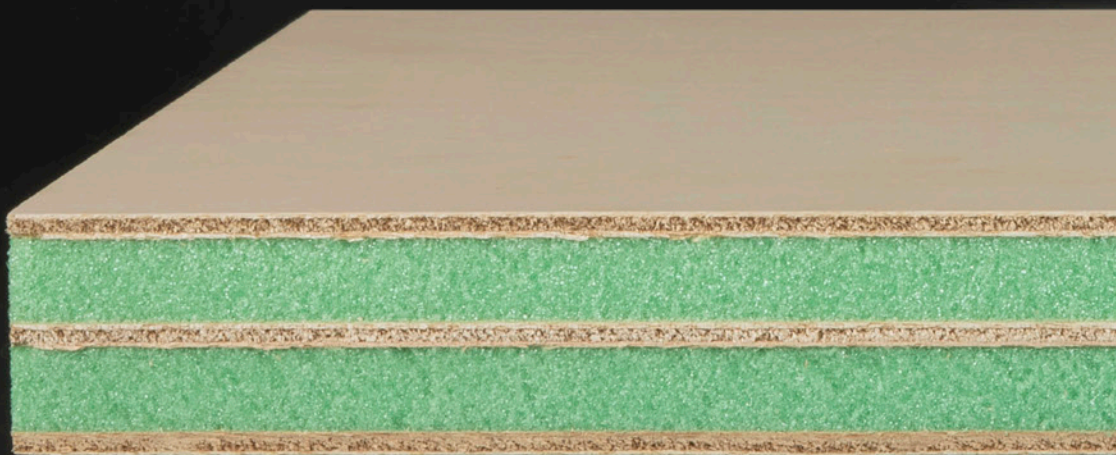
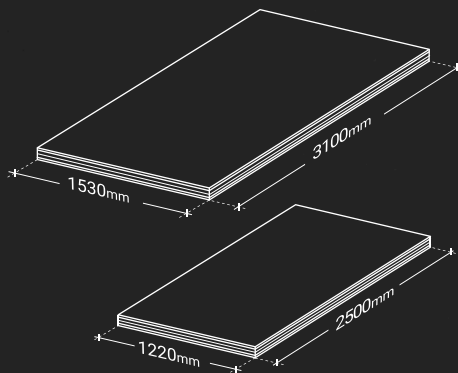
SANDWICH PANEL

Isomar PVC Screw™

Sizes 3100 x 1530 mm
2500 x 1220 mm

Weight from 5,20 kg/m²

Gluing Class 3 - E1
Melamine adhesive
E0 Class if faces are made with
RINA Okoume
Components Gluing E0



TECHNICAL SPECIFICATIONS OF ISOMAR PVC SCREW™

Thickness	Configuration	Weight	Bending Strength		Bending Modulus	
			Long Grain	Cross Grain	Long Grain	Cross Grain
mm	mm	kg/m ²	N/mm ²		N/mm ²	
21	3+6+3+6+3	5,2				
24	4+6+4+6+4	6,7				
29	3+10+3+10+3	5,8				
32	4+10+4+10+4	7,3				
42	4+15+4+15+4	8,0				
52	4+20+4+20+4	8,8	29,5	28,0	3200	3000

Dimensional tolerances comply with the requirements of standard EN 315. Customized thicknesses and configurations upon request.



Thermal conductivity

UNI 7745



1,37 W/mK



Screw holding power*

ASDM-D-1037-72a



850 N

*perpendicular to surface

NOTES

A series of horizontal dotted lines for writing notes, consisting of 25 lines spaced evenly down the page.